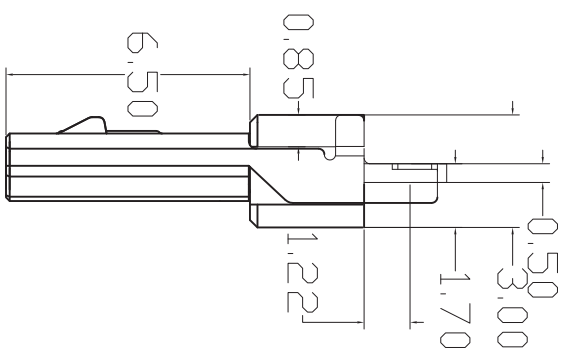
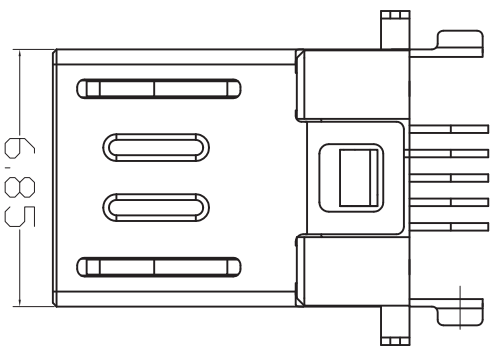
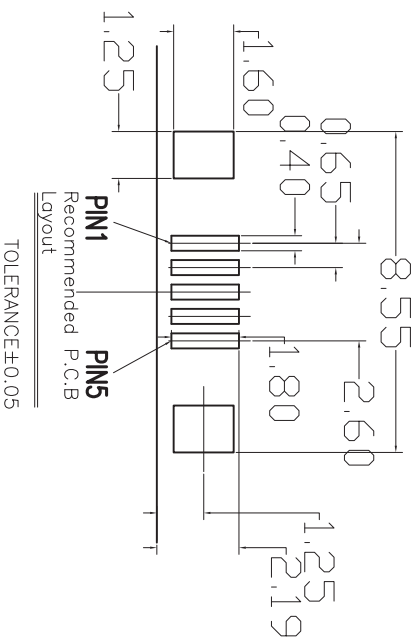


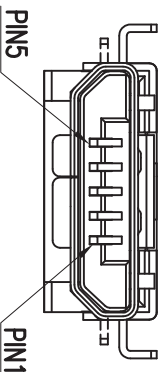
# B款



- NOTES:
- 1.MATERIAL:
- 1.1 HOUSING: HIGH TEMPERATURE THERAL PLASTIC
  - 1.2 CONTACT: COPPER ALLOY
  - 1.3 SHELL:SUS
  - 1.4 LATCH:SUS
- 2.FINISH:
- 2.1 CONTACT: (SEE P/N),50μ" MIN. NICKEL UNDERPLATING OVER ALL
  - 2.2 STAINLESS STEEL:50μ"MIN. SOLDERABLE NICKEL PLATED.



PIN1  
PIN5  
Recommended P.C.B  
Layout  
TOLERANCE±0.05



凱昂企業有限公司

KABO ENTERPRISE CO., LTD.

DESCRIPTION(內容)  
Micro USB B SMT V/T SPIN  
LCP 黑膠

PART NO: Micro USB-B-1011-0503N  
DWG NO(圖號):

DRAWN(製圖)

CHECKED(確認):

APPROVAL(核准):

GENERAL TOLERANCE:  
(公差)

X	±0.15	X	±5°
X	±0.10	X	±2°
XX	±0.05	XX	±1°
XXX	±0.03	XXX	±0.5°



SCALE(比例):  
1:XX

REV: A

UNIT: mm

SIZE: A4

SHEET 1/1

REV

DESCRIPTION

DATE

1

2018.1.9

2

3

4